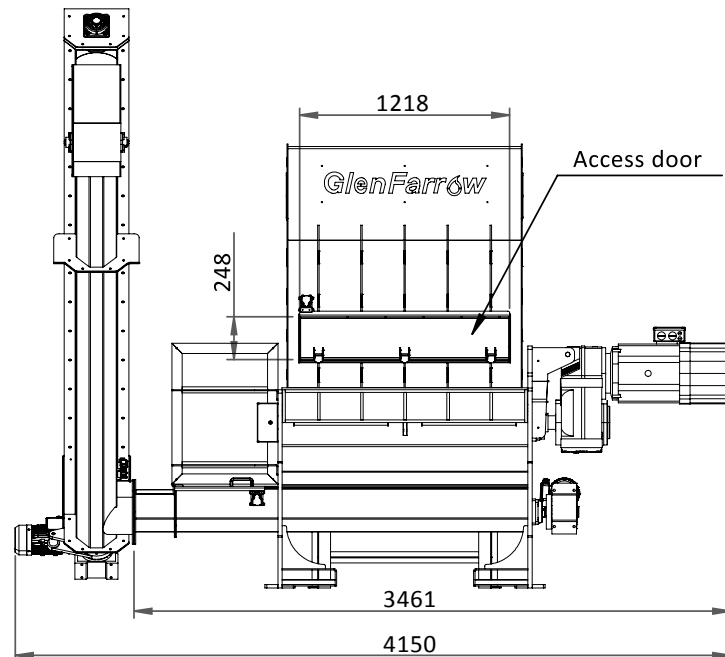
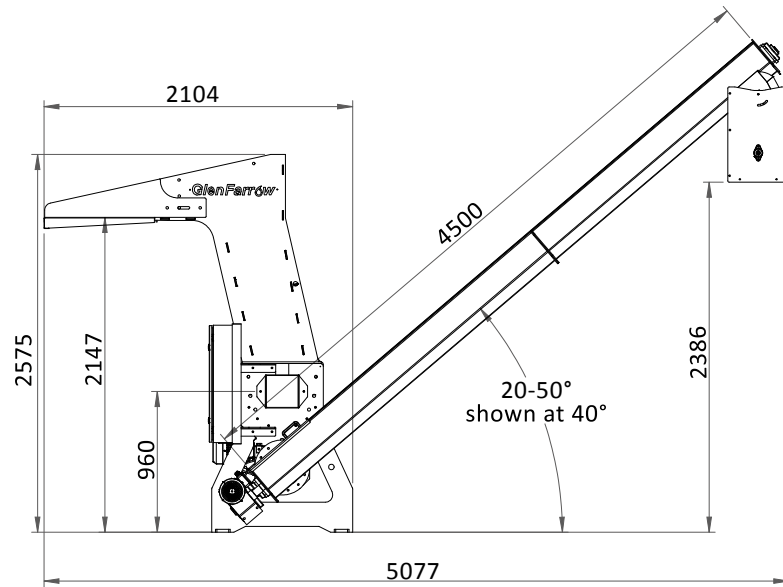




# Technical specifications

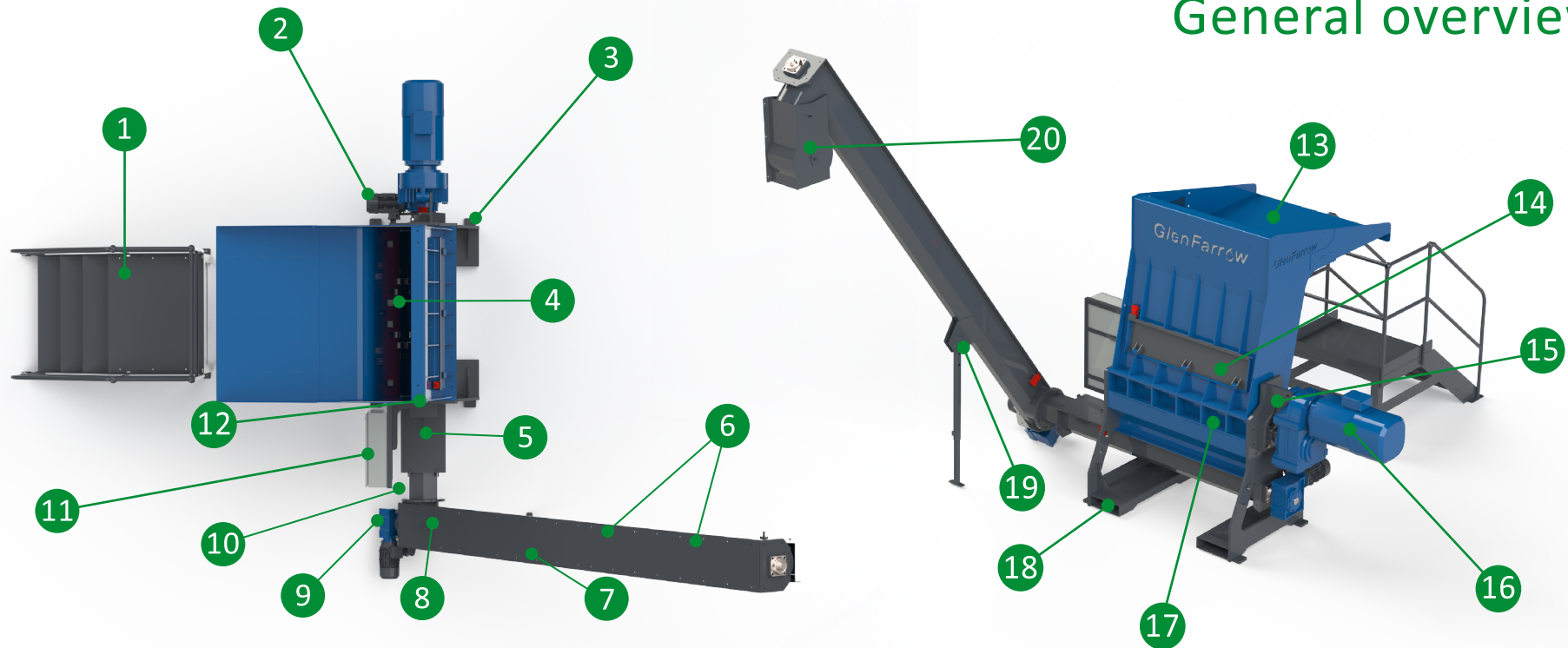


## GFPC1400

- Power: 22kW
- Rotor: 152mm - 168mm diameter options
- Rotor with teeth: 270mm diameter
- Number of teeth: 29
- Rotor speed at 50Hz: 59rpm
- Noise level: 81dB
- Maximum feed opening: 340mm x 1345mm
- Weight (excluding incline auger): 2150kg
- Weight (including 4500mm incline auger): 2400kg
- Screen size: 20mm round - 46mm square options

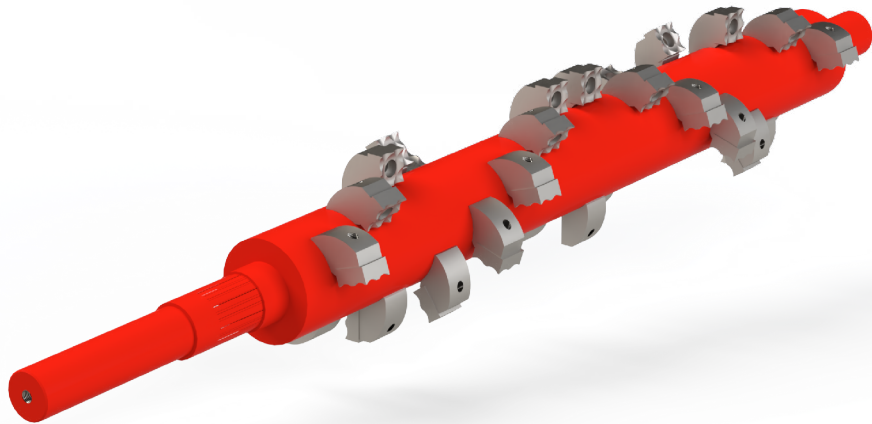
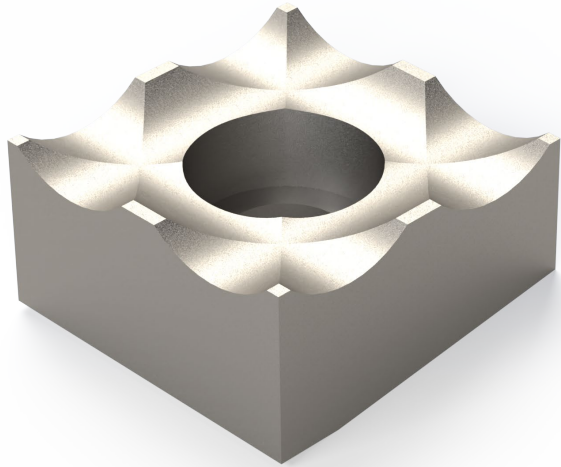
\*Other screen sizes are available at point of order

## General overview



- |   |                               |    |                                 |    |                                    |
|---|-------------------------------|----|---------------------------------|----|------------------------------------|
| 1 | Stairs with platform          | 8  | Incline auger inspection hatch  | 15 | Main motor torque arm fixing point |
| 2 | Cross auger motor and gearbox | 9  | Incline auger motor and gearbox | 16 | Main chipper motor                 |
| 3 | Feet with bolt holes          | 10 | Adjustable flange mount         | 17 | Cassette                           |
| 4 | Main chipper shaft            | 11 | Control panel                   | 18 | Forklift pocket and leg            |
| 5 | Cross auger inspection hatch  | 12 | Bearing cover                   | 19 | Bracket for leg support            |
| 6 | Auger cover plates            | 13 | Foldable infeed chute barrier   | 20 | Incline auger chip output spout    |
| 7 | Incline auger                 | 14 | Rear inspection door            |    |                                    |

# Key features



## Robust cutting system

- Large 270mm diameter rotor with teeth
- Large screen area split into two sections for easy removal and changing
- Square teeth that can be rotated four times for a prolonged service life
- Effective self-feeding system

## Different teeth options

- We offer various teeth sizes and shapes for different types of wood material
- Bespoke teeth options are also available and are customisable to meet the customer's cutting requirements

# Key features



## Self-feeding safety design

- Our chipper is a self-feeding system that pulls pallets and waste wood in automatically
- No pneumatics or hydraulics required
- Easy to service and low maintenance

## Easy removal of wood chip

- Incline conveyor auger is included with every pallet chipper for fast and effective removal of wood chip
- Adjustable angles to suit any application
- Different auger lengths available upon request

# Key features



## Hassle free system

- High quality gearbox and 3 phase motor
- System automatically reverses when overloaded
- Straightforward controls and hour counter for servicing intervals
- Stairs with platform are included for easy loading

## Easy maintenance

- Easy access to the cutting system via hatches with integrated safety switches
- Fast turning and changing of teeth
- Easy to remove non-shreddable items from the system



# Benefits of GlenFarrow

## Customisable chippers



Our auto-chipper is fully customisable upon request. From auger lengths to screen sizes and bespoke teeth, we work closely with our customers to tailor our products to their needs.

## Turnkey biomass solutions



With over 2000 GlenFarrow biomass boilers installed in the UK, we are experts in providing our customers with full turnkey biomass solutions for their heating.

## Book a test trial



We understand the importance of investing in a quality product. That's why we invite all customers to book a test trial of our chipper using their own material.

## National network of engineers



We have a national network of in-house service engineers so you can be rest assured that GlenFarrow will be there for you wherever you are based in the UK.



## Find us:

**Glen Farrow UK Ltd**  
Glendum Close  
Pinchbeck  
Spalding  
Lincolnshire  
PE11 3DQ

What 3 words: [///ample.rectangular.transmits](http://ample.rectangular.transmits)

01775 722327  
[info@glenfarrow.co.uk](mailto:info@glenfarrow.co.uk)  
[glenfarrow.co.uk](http://glenfarrow.co.uk)

